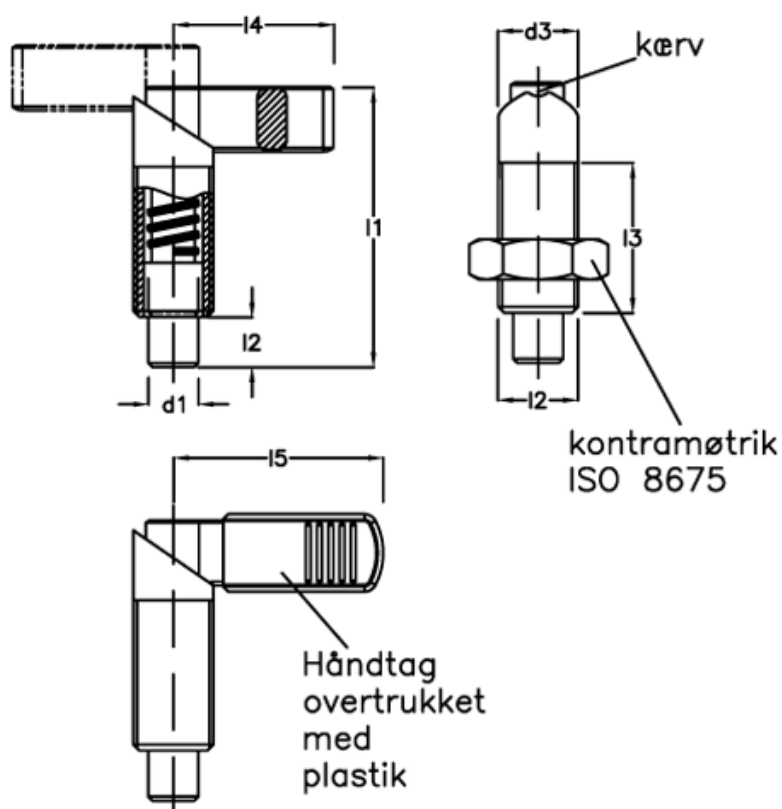


Article number: 20748096

Description: E+G cam action indexing plunger
GN 612-8-M16x1,5-A

Measures



$d1 = 8$

$d2 = M16 \times 1,5$

$d3 = 16$

$l1 = 56,0$

$l2 = 10$

$l3 = 30$

$l4 = 32$

$l5 = 42$

Spring pressure N bottom = 32

Spring pressure N top = 12